

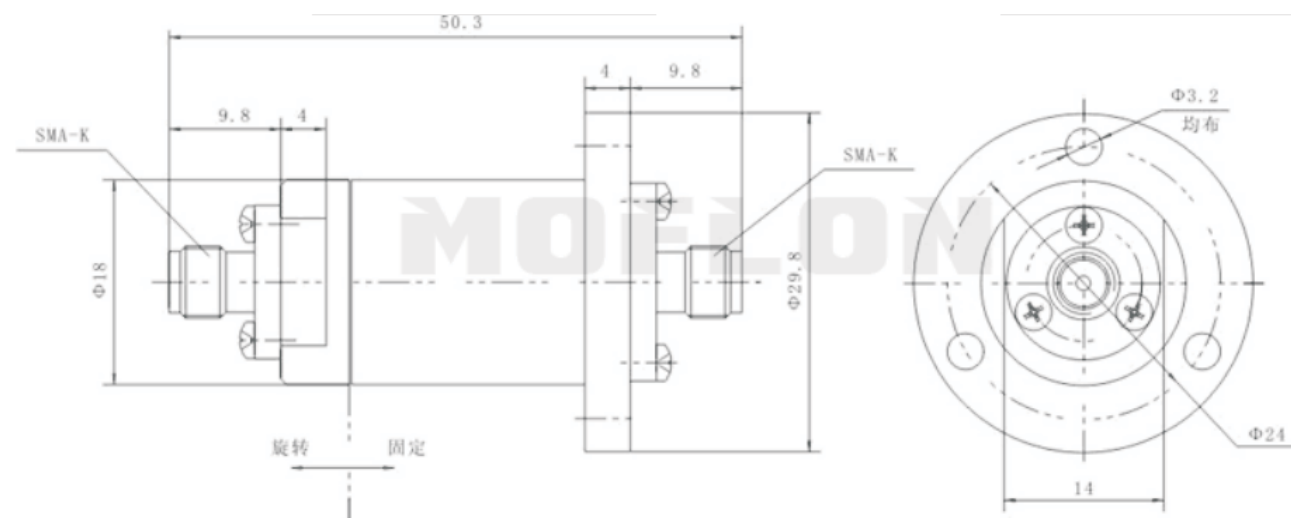
MHF100 (1 channel RF Rotary joints)

MHF100 slip rings are small and compact RF Rotary joints, standard, off-the-shelf. It could support 1 channel High Frequency max 18Ghz transmitting on 360° rotating, with SMA connectors.



Specifications

PART #	CHANNEL	FREQUENCY	CONNECTORS
MHF100	1	DC-18GHz	SMA
(RF Rotary joints) Specifications			
Max speed	60RPM	Torque	0.5N.m
Frequency	0-18Ghz	Insertion loss	0.3dB
Insertion loss ripple	0.05dB	VSWR	≤1.3
VSWR ripple	0.05	Start up torque	0.1N.m
Estimated life cycle	100 million	Housing materia	Stainless steel
Working temperature	-40 to 85 °C	Storage temperature	-50 to 85 °C
IP rating	IP 68	Weight	50g



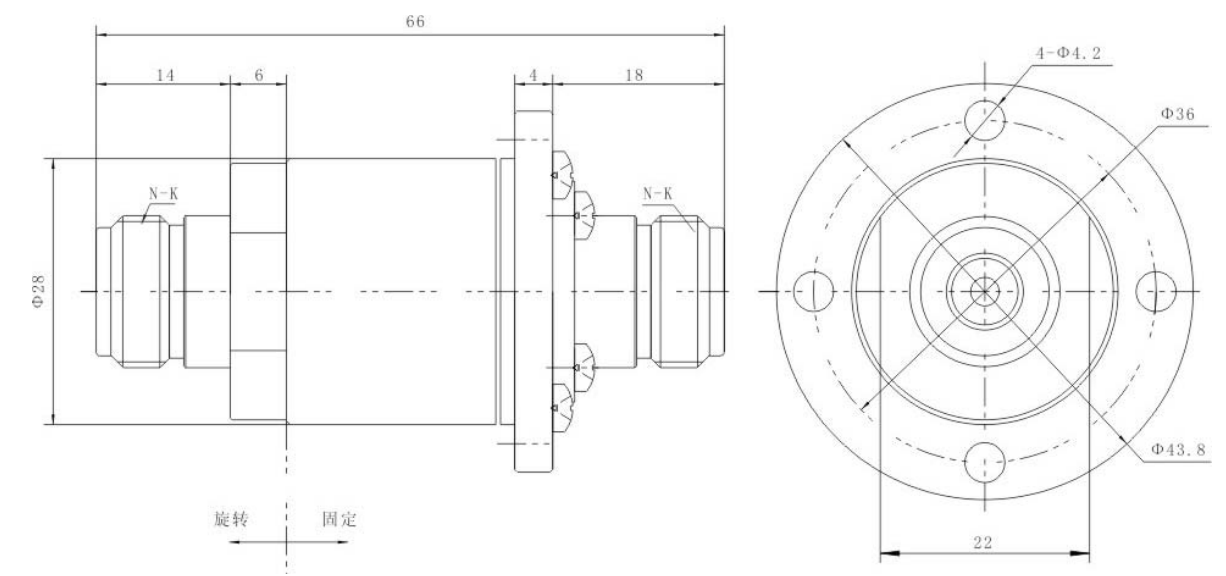
MHF100-N (1 channel RF Rotary joints)

MHF100-N slip rings are small and compact RF Rotary joints, standard, off-the-shelf. It could support 1 channel High Frequency max 18Ghz transmitting on 360° rotating, with N-type connector on both end



Specifications

PART #	CHANNEL	FREQUENCY	CONNECTORS
MHF100	1	DC-18GHz	N-type
(RF Rotary joints) Specifications			
Max speed	60RPM	Torque	0.1N.m
Frequency	0-18Ghz	Insertion loss	0.35dB
Insertion loss ripple	0.05dB	VSWR	≤1.3
VSWR ripple	0.05	Start up torque	0.1N.m
Estimated life cycle	100 million	Housing materia	Stainless steel
Working temperature	-40 to 85 °C	Storage temperature	-50 to 85 °C
IP rating	IP 68	Weight	50g



MHF108 (1 channel RF Rotary joints)

MHF108 is 1 channel RF Rotary joints mixed with electric wires, max 72 wires, are standard, ready available slip ring solution.

Use gold contacts at the rotary interface for signal rings, and 1 channel RF Rotary joints for large amount data transmitting.

can combine with Large current, Thermocouples, Ethernet, USB on request.



Specifications

PART #	HANNEL	FREQUENCY	2A/SIGNAL	10A	CONNECTORS
MHF108-06S	1	DC-18GHz	6	0	SMA/N-type
MHF108-0610	1	DC-18GHz	0	6	SMA/N-type
MHF108-12S	1	DC-18GHz	12	0	SMA/N-type
MHF108-1210	1	DC-18GHz	0	12	SMA/N-type
MHF108-0610-06S	1	DC-18GHz	6	6	SMA/N-type
MHF108-18S	1	DC-18GHz	18	0	SMA/N-type
MHF108-1810	1	DC-18GHz	0	18	SMA/N-type
MHF108-24S	1	DC-18GHz	24	0	SMA/N-type

Electric Specifications

Rating voltage	2 10 VDC / 240 VAC	Contact material	Precious Metal:Gold-Gold
Dielectric strength	600VDC@50Hz	Lead Wire	UL Teflon® Awg28
Insulation resistance	1000MΩ@500VDC	Lead Lengths	250mm
Operating Temp	-40°C to 80°C	Protection	IP51
Mechanical vibratio	MIL-SID-810E	Humidity	10% to 90% RH
Materials	Lead Free,RoHS compliant	CE Certified	YES

(RF Rotary joints) Specifications

Max speed	60RPM	Torque	0.2N.m
Frequency	0-18Ghz	Insertion loss	0.3dB
Insertion loss ripple	0.05dB	VSWR	≤1.3
VSWR ripple	0.05	Start up torque	0.1N.m
Estimated life cycle	100 million	Housing materia	Stainless steel
Working temperature	-40 to 85 °C	Storage temperature	-50 to 85 °C
IP rating	IP 68	Weight	50g

Drawings

12 wires for one group color. from 13 ... 24, repeat the same color as 1 ... 12, indicated with number code pipe.

Lead wire Color codes

Rings#	Color Code	Rings#	Color Code	Rings#	Color Code
1	BLK	5	YEL	9	GRY
2	BRN	6	GRN	10	WHT
3	RED	7	BLU	11	PINK
4	ORN	8	PURPLE	12	AZURY

Options

- Optional flange mounting.
- Specified the wire exit direction.
- Can combine more electric wires:1-72Ring
- Specified connectors and Heat-shrink tube.
- Longer lead lengths available.
- Shielded cables
- Connectors
- Environmentally Sealed up to IP68@4Mpa
- Frequencies up to 500 MHz
- High-speed data transmission for fast Ethernet and EtherCat
- Signal, Coax, and Power combinations
- High Speed up to 20,000 rpm
- Thermocouples
- Shock, Vibration, and Temperature Qualified
- Pneumatic/Hydraulic Capability
- High temperature---up to 450 degree
- High Voltage & large Current(1000A)
- IP65,IP68 are avialable.
- Military Grade.

Build on Request

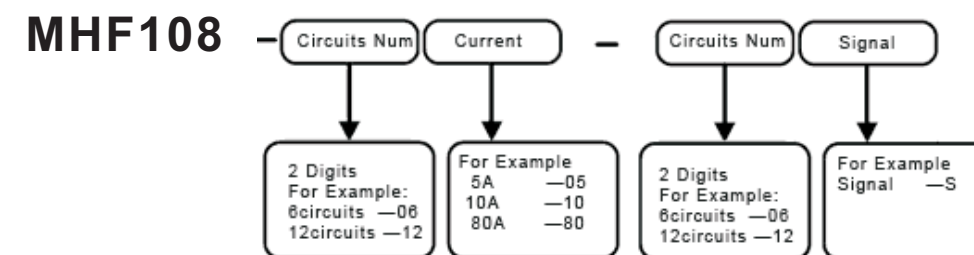
Build On Your Request/Special requirements

when we can't find any one of standard part# to fit our application, what should we do?

Great! Moflon supply build-on-request service base on MHF108 series, the delivery time of build-on-request is 2~3 weeks, and price is only 20%~50% more than the standard version.

Now, Let's start - how to build on request?

Please see ordering information instructions as below:



For example:

if order MHF108 with 3wires*15A each + 12wires*signal, the model should be **MHF108-0315-12S**.

if order MHF108 with 12wires*signal + 3wires*80A, the model should be **MHF108-0380-12S**

Please note: MHF108 could combine with Ethernet, Coaxial(RF), USB, and so on.

if you have other optional requirements, such as lead wire length, connectors, military grade, Please describe in your email.

After Finishing above, pls send email to us: technical@moflon.com for further technical support.

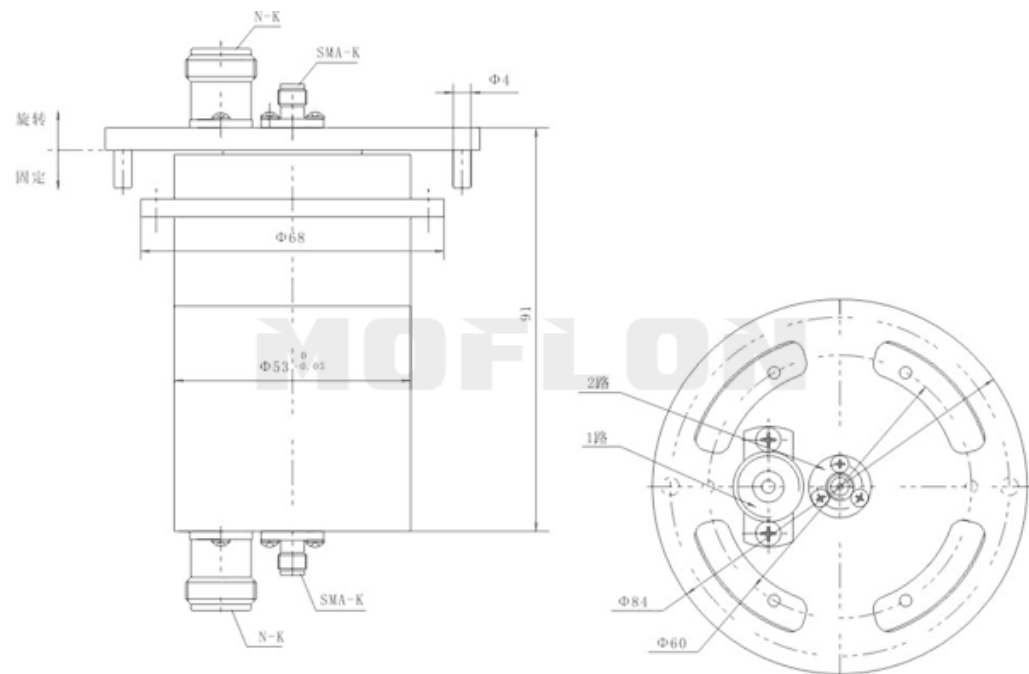
MHF200 (2 channel RF Rotary joints)

MHF200 slip rings are small and compact RF Rotary joints, standard, off-the-shelf.
It could support 2 channel High Frequency max 1.5GHz transmitting on 360° rotating.



Specifications

PART #	CHANNEL	FREQUENCY	CONNECTORS
MHF200	2	DC-1.5GHz	SMA
(RF Rotary joints) Specifications			
Max speed	30RPM	Torque	0.5N.m
Frequency	0-1.5Ghz	Insertion loss	0.3dB
Insertion loss ripple	0.05dB	VSWR	≤1.3
VSWR ripple	0.05	Start up torque	0.1N.m
Estimated life cycle	100 million	Housing materia	Stainless steel
Working temperature	-40 to 85 °C	Storage temperature	-50 to 85 °C
IP rating	IP 68	Weight	50g



MHF208 (2 RF Rotary joints + Electric)

MMHF208 is 2 channel RF Rotary joints mixed with electric wires, max 72 wires, are standard, ready available slip ring solution.

Use gold contacts at the rotary interface for signal rings, and 2 channel RF Rotary joints for large amount data transmitting.

can combine with Large current, Thermocouples, Ethernet, USB on request.



Specifications

PART #	HANNEL	FREQUENCY	2A/SIGNAL	10A	CONNECTORS
MHF208-06S	2	DC-1.5GHz	6	0	SMA
MHF208-0610	2	DC-1.5GHz	0	6	SMA
MHF208-12S	2	DC-1.5GHz	12	0	SMA
MHF208-1210	2	DC-1.5GHz	0	12	SMA
MHF208-0610-06S	2	DC-1.5GHz	6	6	SMA
MHF208-18S	2	DC-1.5GHz	18	0	SMA
MHF208-1810	2	DC-1.5GHz	0	18	SMA
MHF208-24S	2	DC-1.5GHz	24	0	SMA

Electric Specifications

Rating voltage	2 10 VDC / 240 VAC	Contact material	Precious Metal:Gold-Gold
Dielectric strength	600VDC@50Hz	Lead Wire	UL Teflon®
Insulation resistance	1000MΩ@500VDC	Lead Lengths	250mm
Operating Temp	-40°C to 80°C	Protection	IP51
Mechanical vibratio	MIL-SID-810E	Humidity	10% to 90% RH
Materials	Lead Free,RoHS compliant	CE Certified	YES

(RF Rotary joints) Specifications

Max speed	60RPM	Torque	1N.m
Frequency	0-1.5Ghz	Insertion loss	0.3dB
Insertion loss ripple	0.05dB	VSWR	≤1.3
VSWR ripple	0.05	Start up torque	0.1N.m
Estimated life cycle	100 million	Housing materia	Stainless steel
Working temperature	-40 to 85 °C	Storage temperature	-50 to 85 °C
IP rating	IP 68	Weight	50g

Drawings

12 wires for one group color. from 13 ... 24, repeat the same color as 1 ... 12, indicated with number code pipe.

Lead wire Color codes

Rings#	Color Code	Rings#	Color Code	Rings#	Color Code
1	BLK	5	YEL	9	GRY
2	BRN	6	GRN	10	WHT
3	RED	7	BLU	11	PINK
4	ORN	8	PURPLE	12	AZURY

Options

- Optional flange mounting.
- Specified the wire exit direction.
- Can combine more electric wires:1-72Ring
- Specified connectors and Heat-shrink tube.
- Longer lead lengths available.
- Shielded cables
- Connectors
- Environmentally Sealed up to IP68@4Mpa
- Frequencies up to 500 MHz
- High-speed data transmission for fast Ethernet and EtherCat
- Signal, Coax, and Power combinations
- High Speed up to 20,000 rpm
- Thermocouples
- Shock, Vibration, and Temperature Qualified
- Pneumatic/Hydraulic Capability
- High temperature---up to 450 degree
- High Voltage & large Current(1000A)
- IP65,IP68 are avialable.
- Military Grade.

Build on Request

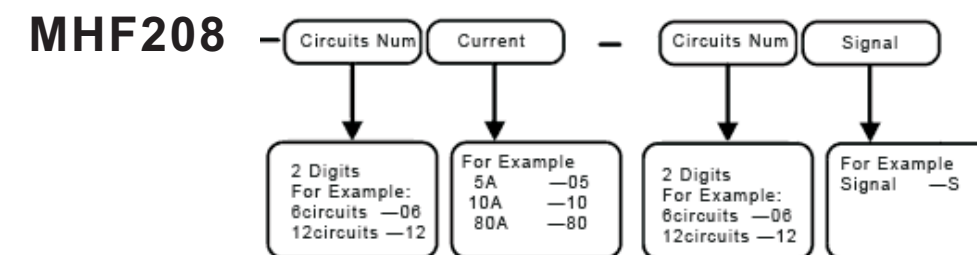
Build On Your Request/Special requirements

when we can't find any one of standard part# to fit our application, what should we do?

Great! Moflon supply build-on-request service base on MHF208 series, the delivery time of build-on-request is 2~3 weeks, and price is only 20%~50% more than the standard version.

Now, Let's start - how to build on request?

Please see ordering information instructions as below:



For example:

if order MHF208 with 3wires*15A each + 12wires*signal, the model should be **MHF208-0315-12S**.

if order MHF208 with 12wires*signal + 3wires*80A, the model should be **MHF208-0380-12S**

Please note: MHF208 could combine with Ethernet, Coaxial(RF), USB, and so on.

if you have other optional requirements, such as lead wire length, connectors, military grade, Please describe in your email.

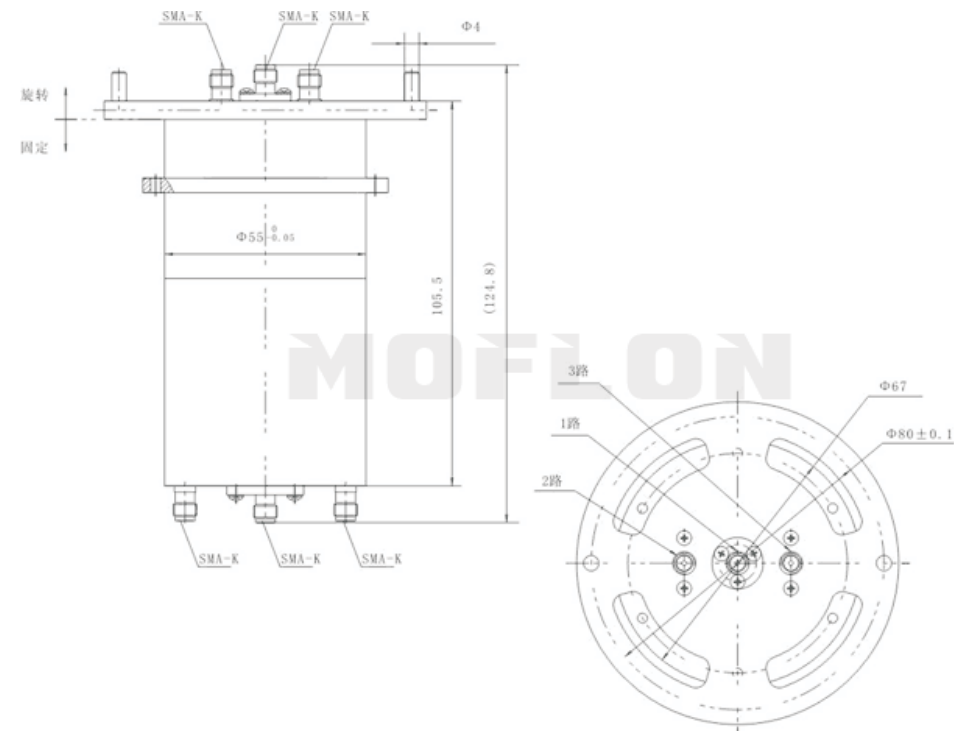
After Finishing above, pls send email to us: technical@moflon.com for further technical support.

MHF300 (3 channel RF Rotary joints)

MHF300 slip rings are small and compact RF Rotary joints, standard, off-the-shelf.
It could support 3 channel High Frequency max 1.5GHz transmitting on 360° rotating.

Specifications

PART #	CHANNEL	FREQUENCY	CONNECTORS
MHF300	3	DC-1.5GHz	SMA
(RF Rotary joints) Specifications			
Max speed	20RPM	Torque	0.5N.m
Frequency	0-1.5GHz	Insertion loss	0.3dB
Insertion loss ripple	0.05dB	VSWR	≤1.3
VSWR ripple	0.05	Start up torque	0.1N.m
Estimated life cycle	100 million	Housing materia	Stainless steel
Working temperature	-40 to 85 °C	Storage temperature	-50 to 85 °C
IP rating	IP 68	Weight	50g



MHF308 (3 RF Rotary joints + Electric)

MMHF308 is 3 channel RF Rotary joints mixed with electric wires, max 72 wires, are standard, ready available slip ring solution.

Use gold contacts at the rotary interface for signal rings, and 3 channel RF Rotary joints for large amount data transmitting.

can combine with Large current, Thermocouples, Ethernet, USB on request.



Specifications

PART #	HANNEL	FREQUENCY	2A/SIGNAL	10A	CONNECTORS
MHF308-06S	3	DC-1.5GHz	6	0	SMA
MHF308-0610	3	DC-1.5GHz	0	6	SMA
MHF308-12S	3	DC-1.5GHz	12	0	SMA
MHF308-1210	3	DC-1.5GHz	0	12	SMA
MHF308-0610-06S	3	DC-1.5GHz	6	6	SMA
MHF308-18S	3	DC-1.5GHz	18	0	SMA
MHF308-1810	3	DC-1.5GHz	0	18	SMA
MHF308-24S	3	DC-1.5GHz	24	0	SMA

Electric Specifications

Rating voltage	2 10 VDC / 240 VAC	Contact material	Precious Metal:Gold-Gold
Dielectric strength	600VDC@50Hz	Lead Wire	UL Teflon®
Insulation resistance	1000MΩ@500VDC	Lead Lengths	250mm
Operating Temp	-40°C to 80°C	Protection	IP51
Mechanical vibratio	MIL-SID-810E	Humidity	10% to 90% RH
Materials	Lead Free,RoHS compliant	CE Certified	YES

(RF Rotary joints) Specifications

Max speed	20RPM	Torque	1N.m
Frequency	0-1.5Ghz	Insertion loss	0.3dB
Insertion loss ripple	0.05dB	VSWR	≤1.3
VSWR ripple	0.05	Start up torque	0.1N.m
Estimated life cycle	100 million	Housing materia	Stainless steel
Working temperature	-40 to 85 °C	Storage temperature	-50 to 85 °C
IP rating	IP 68	Weight	50g

Drawings

12 wires for one group color. from 13 ... 24, repeat the same color as 1 ... 12, indicated with number code pipe.

Lead wire Color codes

Rings#	Color Code	Rings#	Color Code	Rings#	Color Code
1	BLK	5	YEL	9	GRY
2	BRN	6	GRN	10	WHT
3	RED	7	BLU	11	PINK
4	ORN	8	PURPLE	12	AZURY

Options

- Optional flange mounting.
- Specified the wire exit direction.
- Can combine more electric wires:1-72Ring
- Specified connectors and Heat-shrink tube.
- Longer lead lengths available.
- Shielded cables
- Connectors
- Environmentally Sealed up to IP68@4Mpa
- Frequencies up to 500 MHz
- High-speed data transmission for fast Ethernet and EtherCat
- Signal, Coax, and Power combinations
- High Speed up to 20,000 rpm
- Thermocouples
- Shock, Vibration, and Temperature Qualified
- Pneumatic/Hydraulic Capability
- High temperature---up to 450 degree
- High Voltage & large Current(1000A)
- IP65,IP68 are avialable.
- Military Grade.

Build on Request

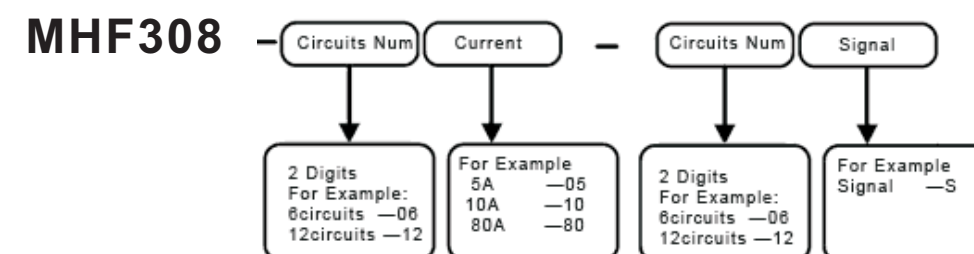
Build On Your Request/Special requirements

when we can't find any one of standard part# to fit our application, what should we do?

Great! Moflon supply build-on-request service base on MHF308 series, the delivery time of build-on-request is 2~3 weeks, and price is only 20%~50% more than the standard version.

Now, Let's start - how to build on request?

Please see ordering information instructions as below:



For example:

if order MHF308 with 3wires*15A each + 12wires*signal, the model should be **MHF308-0315-12S**.

if order MHF308 with 12wires*signal + 3wires*80A, the model should be **MHF308-0380-12S**

Please note: MHF308 could combine with Ethernet, Coaxial(RF), USB, and so on.

if you have other optional requirements, such as lead wire length, connectors, military grade, Please describe in your email.

After Finishing above, pls send email to us: technical@moflon.com for further technical support.

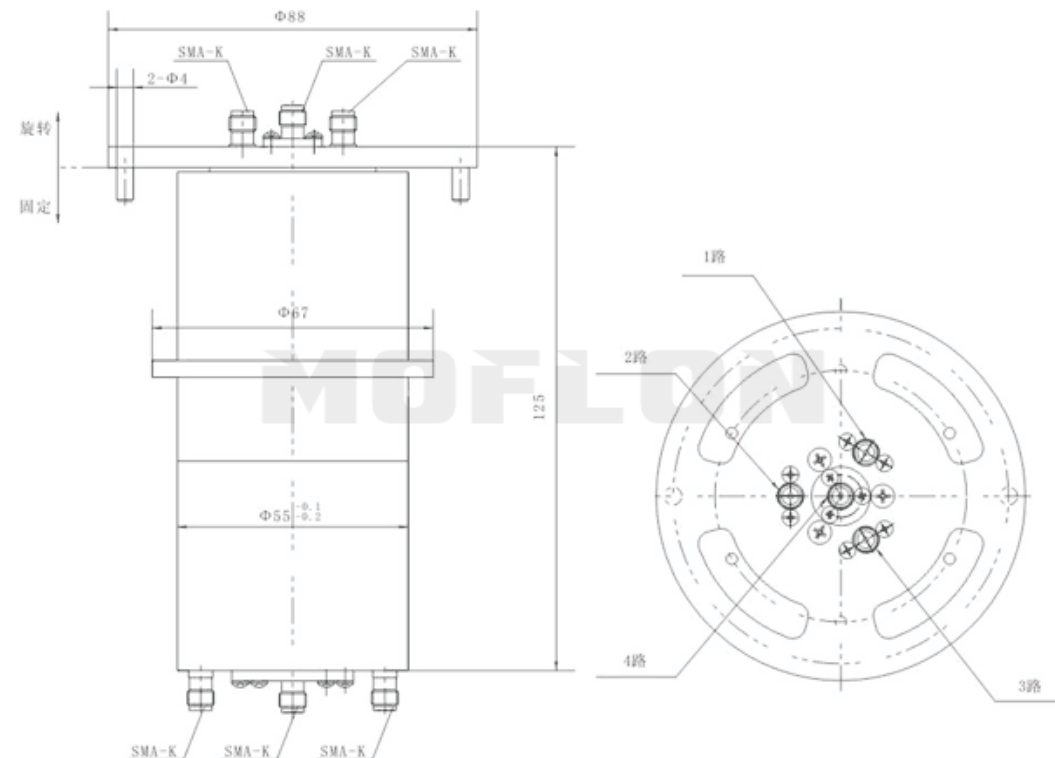
MHF400 (4 channel RF Rotary joints)

MHF400 slip rings are small and compact RF Rotary joints, standard, off-the-shelf.
It could support 4 channel High Frequency max 1.5Ghz transmitting on 360° rotating.



Specifications

PART #	CHANNEL	FREQUENCY	CONNECTORS
MHF400	4	DC-1.5GHz	SMA
(RF Rotary joints) Specifications			
Max speed	20RPM	Torque	0.5N.m
Frequency	0-1.5Ghz	Insertion loss	0.3dB
Insertion loss ripple	0.05dB	VSWR	≤1.3
VSWR ripple	0.05	Start up torque	0.1N.m
Estimated life cycle	100 million	Housing materia	Stainless steel
Working temperature	-40 to 85 °C	Storage temperature	-50 to 85 °C
IP rating	IP 68	Weight	50g



MHF408 (4RF Rotary joints + Electric)

MMHF408 is 4 channel RF Rotary joints mixed with electric wires, max 72 wires, are standard, ready available slip ring solution.

Use gold contacts at the rotary interface for signal rings, and 4 channel RF Rotary joints for large amount data transmitting.

can combine with Large current, Thermocouples, Ethernet, USB on request.



Specifications

PART #	HANNEL	FREQUENCY	2A/SIGNAL	10A	CONNECTORS
MHF408-06S	4	DC-1.5GHz	6	0	SMA
MHF408-0610	4	DC-1.5GHz	0	6	SMA
MHF408-12S	4	DC-1.5GHz	12	0	SMA
MHF408-1210	4	DC-1.5GHz	0	12	SMA
MHF408-0610-06S	4	DC-1.5GHz	6	6	SMA
MHF4308-18S	4	DC-1.5GHz	18	0	SMA
MHF408-1810	4	DC-1.5GHz	0	18	SMA
MHF408-24S	4	DC-1.5GHz	24	0	SMA

Electric Specifications

Rating voltage	2 10 VDC / 240 VAC	Contact material	Precious Metal:Gold-Gold
Dielectric strength	600VDC@50Hz	Lead Wire	UL Teflon®
Insulation resistance	1000MΩ@500VDC	Lead Lengths	250mm
Operating Temp	-40°C to 80°C	Protection	IP51
Mechanical vibratio	MIL-SID-810E	Humidity	10% to 90% RH
Materials	Lead Free,RoHS compliant	CE Certified	YES

(RF Rotary joints) Specifications

Max speed	20RPM	Torque	1N.m
Frequency	0-1.5Ghz	Insertion loss	0.3dB
Insertion loss ripple	0.05dB	VSWR	≤1.3
VSWR ripple	0.05	Start up torque	0.1N.m
Estimated life cycle	100 million	Housing materia	Stainless steel
Working temperature	-40 to 85 °C	Storage temperature	-50 to 85 °C
IP rating	IP 68	Weight	50g

Drawings

12 wires for one group color. from 13 ... 24, repeat the same color as 1 ... 12, indicated with number code pipe.

Lead wire Color codes

Rings#	Color Code	Rings#	Color Code	Rings#	Color Code
1	BLK	5	YEL	9	GRY
2	BRN	6	GRN	10	WHT
3	RED	7	BLU	11	PINK
4	ORN	8	PURPLE	12	AZURY

Options

- Optional flange mounting.
- Specified the wire exit direction.
- Can combine more electric wires:1-72Ring
- Specified connectors and Heat-shrink tube.
- Longer lead lengths available.
- Shielded cables
- Connectors
- Environmentally Sealed up to IP68@4Mpa
- Frequencies up to 500 MHz
- High-speed data transmission for fast Ethernet and EtherCat
- Signal, Coax, and Power combinations
- High Speed up to 20,000 rpm
- Thermocouples
- Shock, Vibration, and Temperature Qualified
- Pneumatic/Hydraulic Capability
- High temperature---up to 450 degree
- High Voltage & large Current(1000A)
- IP65,IP68 are avialable.
- Military Grade.

Build on Request

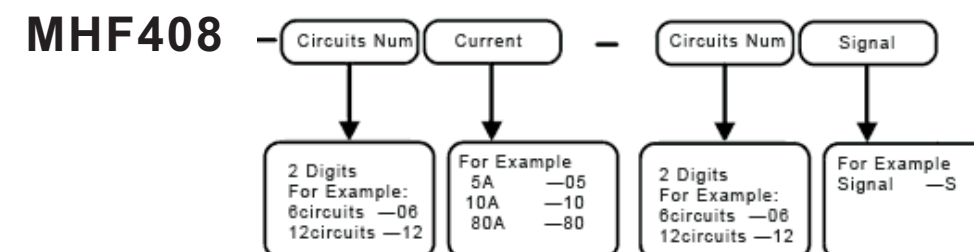
Build On Your Request/Special requirements

when we can't find any one of standard part# to fit our application, what should we do?

Great! Moflon supply build-on-request service base on MHF408 series, the delivery time of build-on-request is 2~3 weeks, and price is only 20%~50% more than the standard version.

Now, Let's start - how to build on request?

Please see ordering information instructions as below:



For example:

if order MHF408 with 3wires*15A each + 12wires*signal, the model should be **MHF408-0315-12S**.

if order MHF408 with 12wires*signal + 3wires*80A, the model should be **MHF408-0380-12S**

Please note: MHF408 could combine with Ethernet, Coaxial(RF), USB, and so on.

if you have other optional requirements, such as lead wire length, connectors, military grade, Please describe in your email.

After Finishing above, pls send email to us: technical@moflon.com for further technical support.